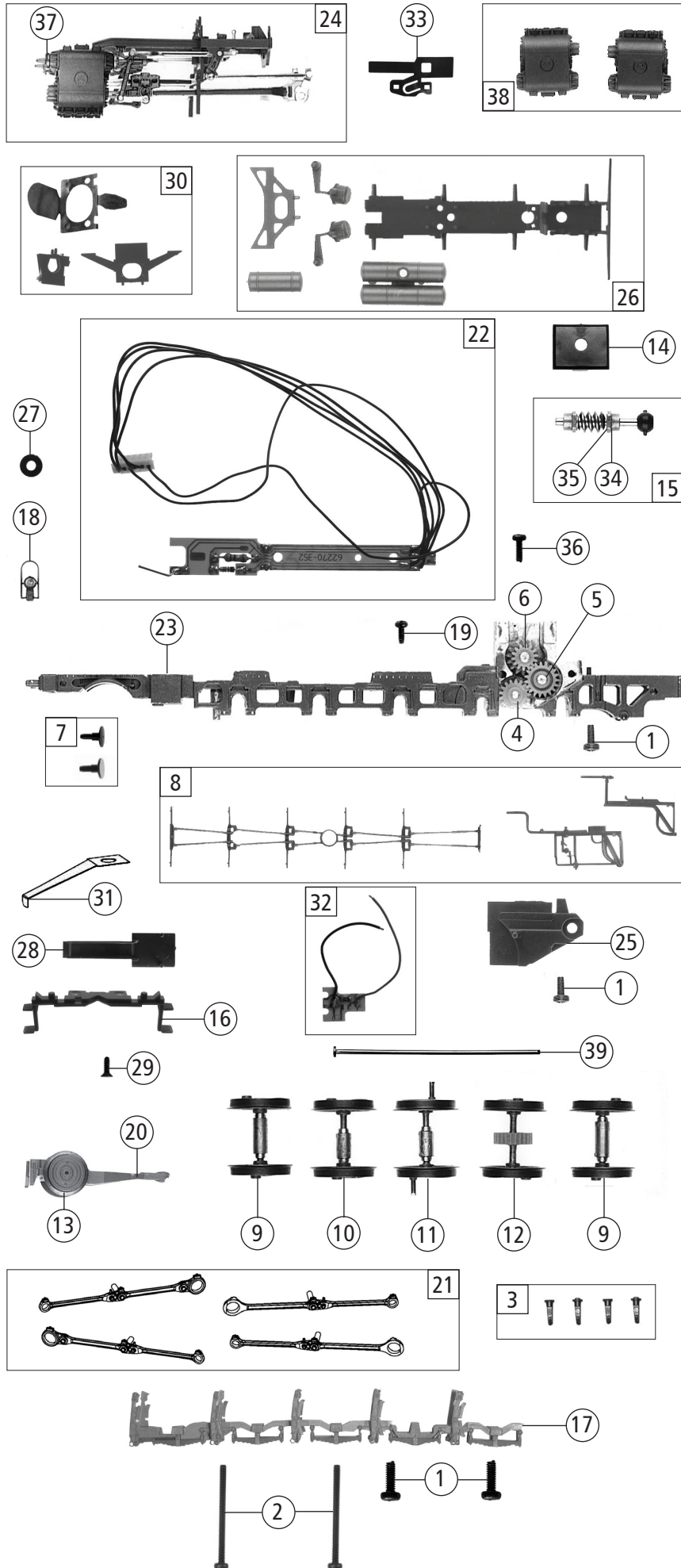


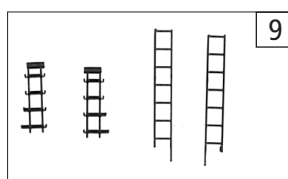
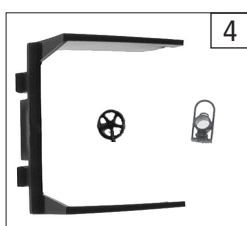
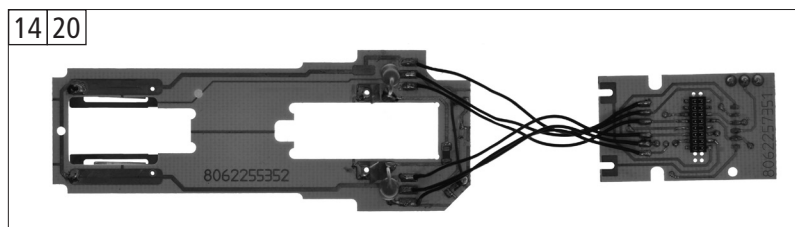
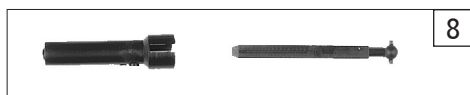
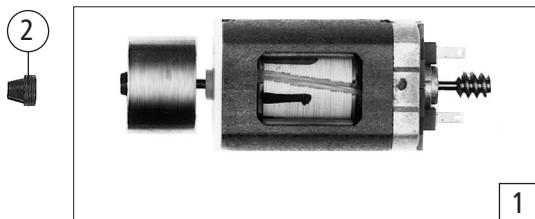
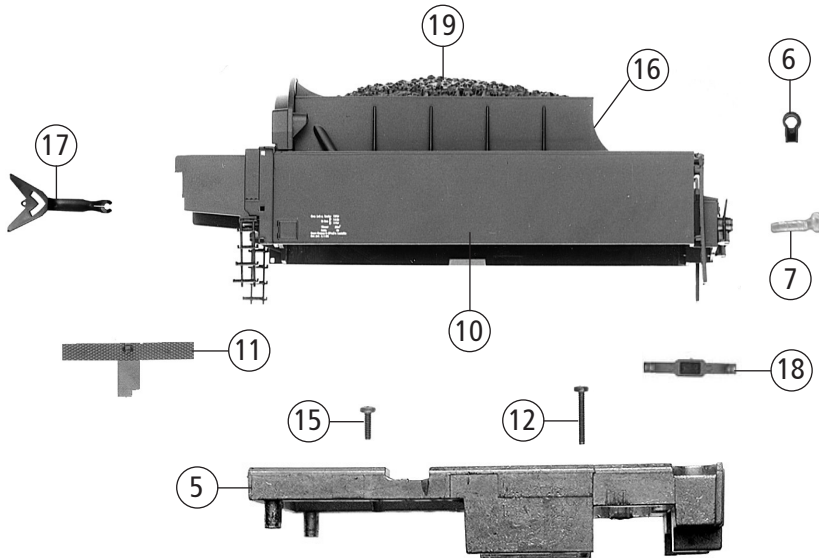
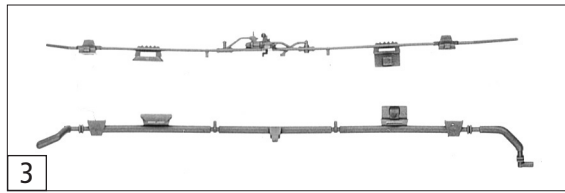
Pos. Nr. Pos.no.	Beschreibung Description	Art.-Nr. Art.no.	Preisgruppe Price bracket
1	Ölkanne Oil can	92453	4
2	Kupplungsauflage, Wasserbehälter Coupling cover, Water tank	140237	5
3	TS - Fenster und Lichtleiter Part set window and light conductor	100677	9
4	TS - Kesselsteckteile Part set boiler plug-in parts	100678	13
5	TS - Kessel Part set boiler	109488	10
6	Kesselboden Boiler bottom	109491	12
7	Griffstangensatz Part set handles	109799	10
8	TS - Kesselleitungen und Ventile Part set boiler lines and valves	109800	10
9	TS - Kessel Part set boiler	109801	11
10	Lokgewicht Loco weight	109802	8
11	Dachfenstergitter Roof window grid	109496	6
12	Deckel für Vorwärmer Cover for preheater	112022	4
13	Loktrittblech Loco treadle	112337	3
14	TS - Stangen Part set of rods	112343	8
15	GF-Schraube M2x5 mm Self-tapping screw M2x5 mm	114966	3
16	Sand- und Dampfdomdeckel Sand and steam dome lid	125037	6
17	Stirnlichtleiter Front light conductor	131724	3
18	Stange 54 mm Rod 54 mm	136150	6
19	Führerhaus Driver's cab	140250	19
20	Tafelsatz Set of panels	140252	12
21	TS - Stangenhalter und Sandfallrohr Part set rod holder and sand pipe	136149	7
22	Umlaufblech Running board	140249	16
23	Kessel komplett Betr.nr. 50 3646-2 Boiler assembly loco no. 50 3646-2	140248	39
Sound			
24	GF-Schraube M1,6x4 mm Self-tapping screw M1,6x4 mm	114850	3
25	Lautsprecher Loudspeaker	129524	16
26	Lautsprecherplatine Loudspeaker PCB	133613	11
27	Kontaktstift Contact pin	132794	4

Änderungen in Konstruktion und Ausführung vorbehalten
We reserve the right to change the construction and specification

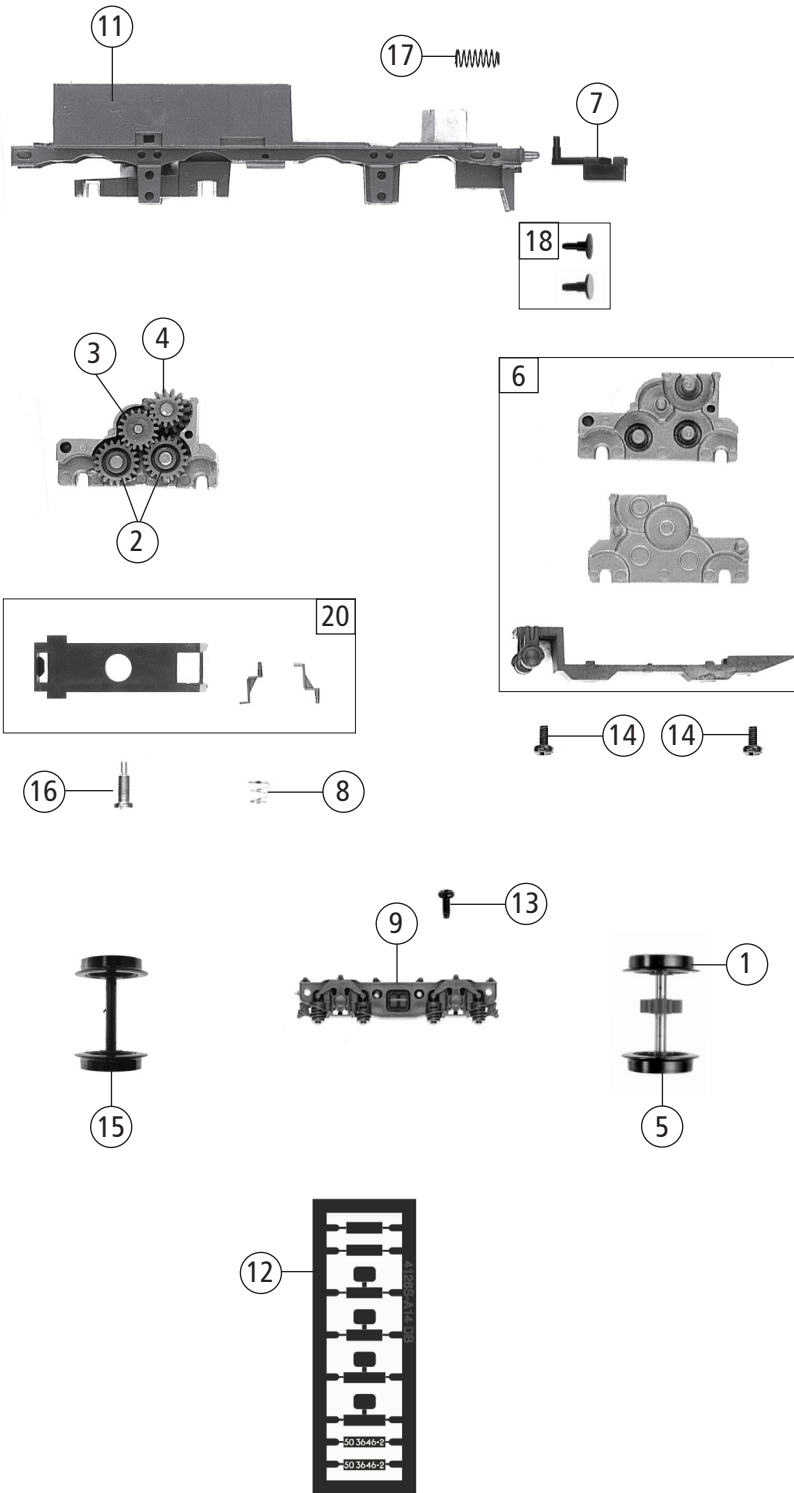


62168	DR	BR 50	=	
62169			=	🔊

Pos. Nr. Pos.no.	Beschreibung Description	Art.-Nr. Art.no.	Preisgruppe Price bracket
1	GF-Schraube M2x4 mm Self-tapping screw M2x4 mm	114877	3
2	GF-Schraube M2x25 mm Self-tapping screw M2x25mm	115533	3
3	TS-Bolzen Part set of bolt	138069	5
4	Zahnrad Z=17 Gear wheel Z=17	86409	5
5	Zahnrad Z=19 / M=0,4 Gear wheel Z=19 / M=0,4	86417	3
6	Schnecken Zahnrad Z=15/14 Worm gear wheel Z=15/14	86490	5
7	Puffer flach und gewölbt bedruckt Buffer flat and curved printed	140229	10
8	TS-Bremsgestänge Part set of brake rigging	140226	6
9	Radsatz 1/5 mit Achslager Wheelset 1/5 with axle bearing	140230	12
10	Kuppelradsatz 2 mit Achslager Coupled wheelset 2 with axle bearing	140231	12
11	Treibradsatz 3 mit Achslager Driving wheel 3 with axle bearing	140232	12
12	Kuppelradsatz 4 mit Zahnrad Coupled wheelset 4 with gear wheel	140233	12
13	Vorlauf radsatz Pony truck wheelset	140235	10
14	Schneckenkammerdeckel Worm gearbox cover	111987	4
15	Schneckensatz mit Kardan Kugel Set of worm gear incl. cardan ball	100132	13
16	Loktreppen Loco treads	140227	4
17	Bremsrahmen lackiert Brakes frame painted	140225	12
18	Loklampe groß komplett Loco lamp big ass.	100682	7
19	GF-Schraube M2x5 mm Self-tapping screw M2x5 mm	114966	3
20	Vorlaufgestell Bogie frame	140234	12
21	TS - Kuppelstangen Part set - coupling rods	140236	18
22	Lokplatine kpl. Loco printed circuit board ass.	125019	20
23	Lokgrundrahmen Loco basic frame	140223	16
24	Steuerung kpl. Reversing gear complete	140247	36
25	Lokgetriebedeckel Loco gear cover	140224	12
26	TS-Umlauf Part set of running board	140228	10
27	Platinenring Ring for printed circuit board	125002	9
28	Lichtabdeckung Light cover	122502	3
29	SK-Schraube M1,6x4 mm SK-Screw M1,6x4 mm	115161	3
30	Kesselstütze und Kont. Boiler support and contacts	117304	6
31	Vorlaufgestellfeder Bogie spring	125024	3
32	Lok Stirn LED Platine kpl. Loco front LED-PCB complete	131125	13
33	Radkontakt Wheel contact	131126	5
34	Lager für Schneckenachse Bearing for worm gear axle	89749	6
35	Beilagescheibe Washer	86108	3
36	GF-Schraube M1,6x4 mm Self-tapping screw M1,6x4 mm	114850	3
37	TS - Schiebereinsatz Part set slide inset	92420	3
38	Zylinderblock links und rechts Cylinder block left and right	100168	12
39	Drahtstift Tack	110641	4



Pos. Nr. Pos.no.	Beschreibung Description	Art.-Nr. Art.no.	Preisgruppe Price bracket
1	Motor komplett Motor assembly	85131	28
2	Kardanschale kurz 1,5mm Cardan reception short 1,5mm	87129	4
3	Tenderleitungssatz Tender line set	140239	7
4	TS - Tender 1 Part set tender 1	108330	12
5	Tendergewicht Tender ballast	109405	8
6	Tenderlampe oben Upper tender lamp	109775	3
7	Spitzenlinse Frontside lens	109776	3
8	Kardanwelle, Kardanhülse Cardan shaft, Cardan reception	111765	4
9	TS - Tender 2 Part set tender 2	108944	11
10	Tendergehäuse 50 3646-2 Tender body 50 3646-2	140241	20
11	Tender-Trittlech Tender treadle	100142	8
12	GF-Schraube M1,6x10 mm Self-tapping screw M1,6x10mm	114881	3
13	Brückenstecker Connector	129630	10
14	Tenderplatine kpl. LED Tender printed circuit board ass. LED	132976	24
15	GF-Schraube M1,6x6 mm Self-tapping screw M1,6x6mm	114836	3
16	Kohlekasten und Stirnteil Coal box and frontside part	116381	12
17	Lok-Tenderkupplung Coupling between loco and tender	140238	8
18	Tender-Lichtleiter Tender light conductor	112025	4
19	Kohlegewicht Coal weight	126887	10
Sound			
20	Tenderplatine kpl. LED Tender printed circuit board ass. LED	132977	28
21	Sounddecoder Sound-decoder	129300	39



Pos. Nr. Pos.no.	Beschreibung Description	Art.-Nr. Art.no.	Preisgruppe Price bracket
1	Hafringsatz 10 Stk. 10,3-12,8mm Traction tyres set 10 pcs. 10,3-12,8mm	40069	---
2	Zahnrad Z=19 / M=0,4 Gear wheel Z=19 / M=0,4	86417	3
3	Zahnrad Z=17 M=0,4 mm G Gear wheel Z=17 M=0,4 mm G	86418	5
4	Schneckenrad Z=15/14 Worm gear wheel Z=15/14	86490	5
5	Radsatz m.2Hafring. m. Zahnrad Wheelset w.2 traction tyres w.gear wheel	140245	12
6	Tendergetriebebesatz 3-teilig Tender gear set 3-parts	140243	13
7	Kupplungskammer Coupling reception	108225	4
8	Druckfeder Pressure spring	108226	3
9	Blende für Tender Bogie for tender	140246	9
10	Zurüstbeutel Bag with accessories	140251	15
11	Tenderrahmen Tender frame	140240	16
12	Nummertafeln Number plates	140242	7
13	GF-Schraube M2x5 mm Self-tapping screw M2x5 mm	114966	3
14	GF-Schraube M2x4 mm Self-tapping screw M2x4 mm	114877	3
15	Radsatz o. Hafring o. Zahnrad Wheelset w/o traction tyre,w/o gear wheel	115031	10
16	Ansatzschraube M2x5 mm Flanged screw M 2x5mm	85669	4
17	Bürstenfeder Brush spring	114197	3
18	Puffer flach und gewölbt bedruckt Buffer flat and curved printed	140229	10
19	Standardkupplung Standard coupling	89246	6
20	TS - Tenderdeckel, Tritte Part set for tender cover,treadles	140244	8

